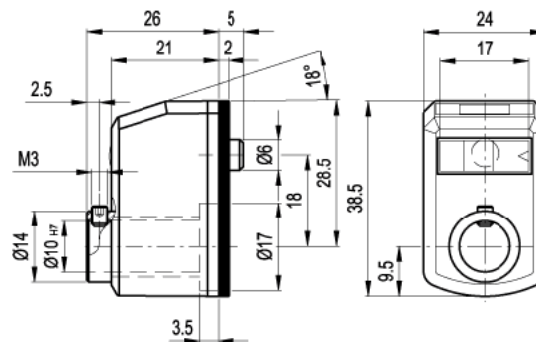


Data Sheet



Article number: 2307080181
 Description: E+G Small counter
 DD50-AN-02.0-D-GR Gray

Measures



| Table of the possible combinations | | | | | | | |
|------------------------------------|-------|------------------------------|------|-----|--------------|-----------------------|--------------------------|
| Reading position | Pitch | Reading after one revolution | | | Speed (rpm)* | Direction of rotation | Colour |
| | | 0 | 1 | 0 | | | |
| AN inward upper | 1.0 | 01.0 | 0.10 | 010 | 1500 | D clockwise | AR orange RAL 2004 |
| AR inward lower | 2.0 | 02.0 | 0.20 | 020 | 1250 | | |
| FN front upper | 4.0 | 04.0 | 0.40 | 040 | 625 | S anti-clockwise | GR grey RAL 7035 |
| FR front lower | 5.0 | 05.0 | 0.50 | 050 | 500 | | |
| | 10 | 10.0 | 1.00 | 100 | 250 | | |

| | |
|------|--|
| 01.0 | Standard reading |
| 0.10 | Reading available on request (see 17.4.2010) |

DD50 - FR - 010 - S - GR

* The maximum rotation speed (rpm) of the spindle reported in the table corresponds to a maximum rotation speed of 25,000 units per minute of the test roll on the right side of the counter. Rotational speed tests have been performed in our laboratory under standard operating conditions.

Description = Se mål på tegning